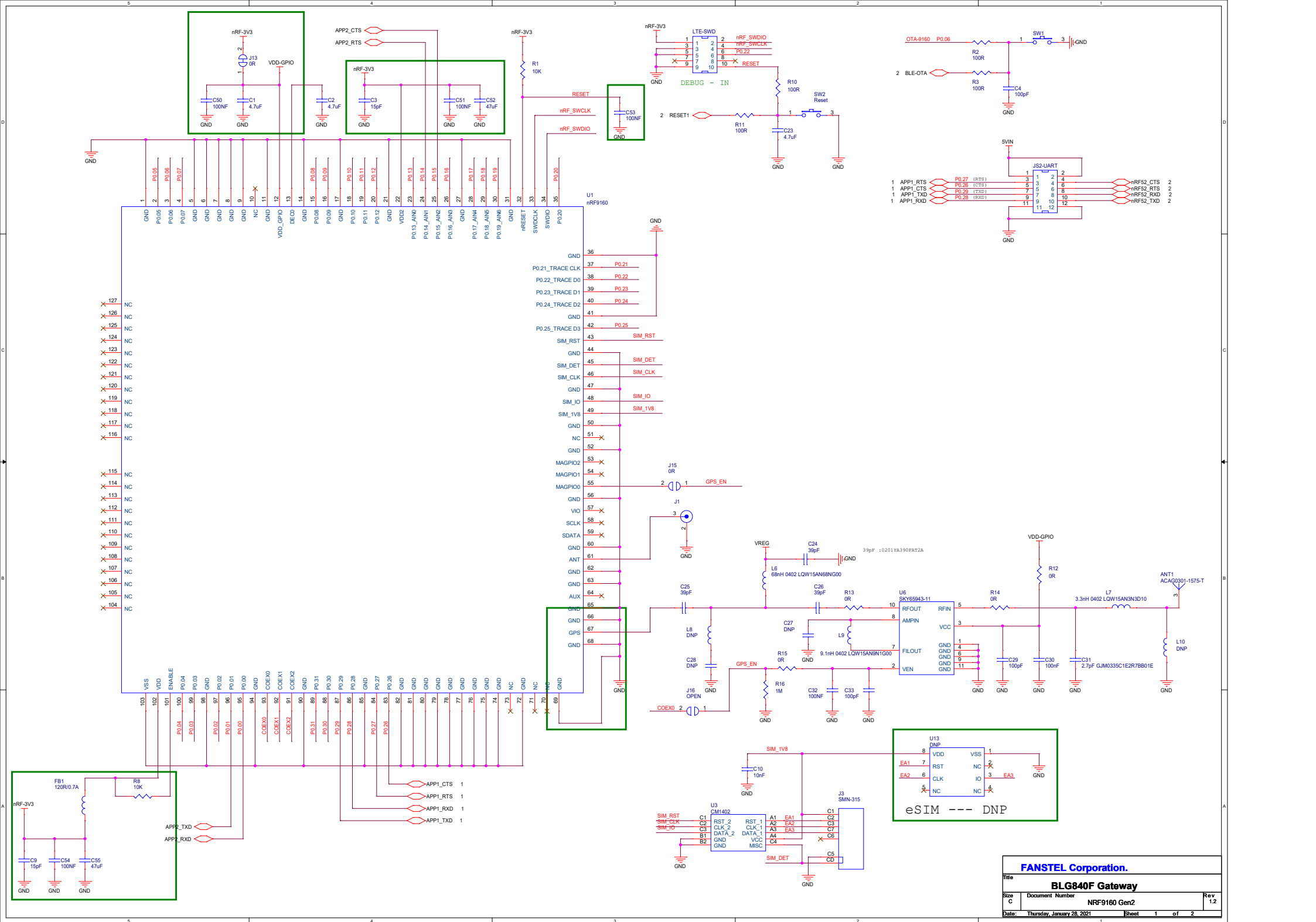
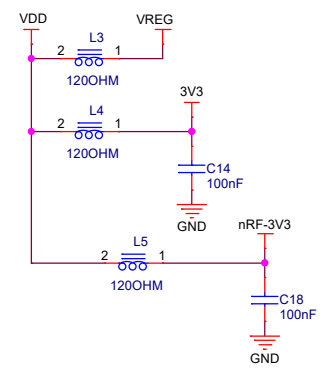
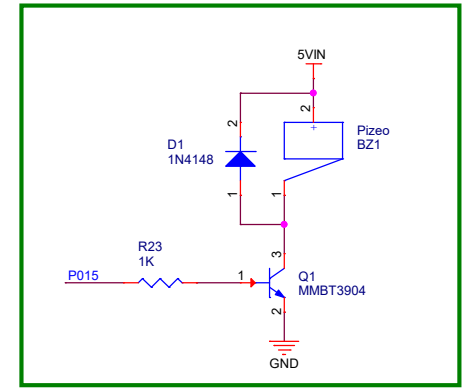
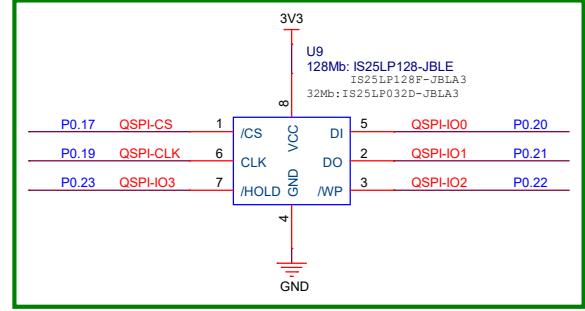
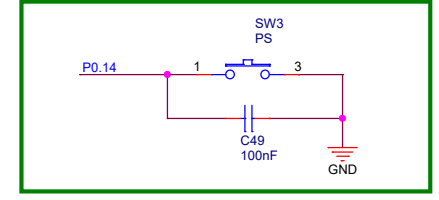
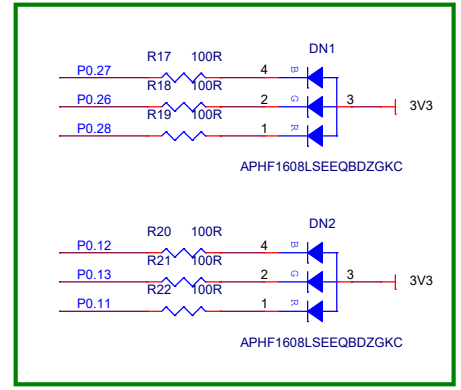
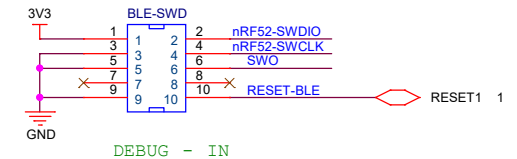
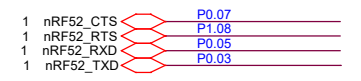
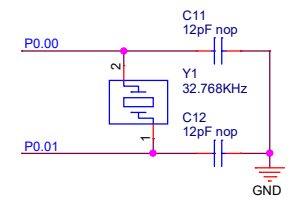
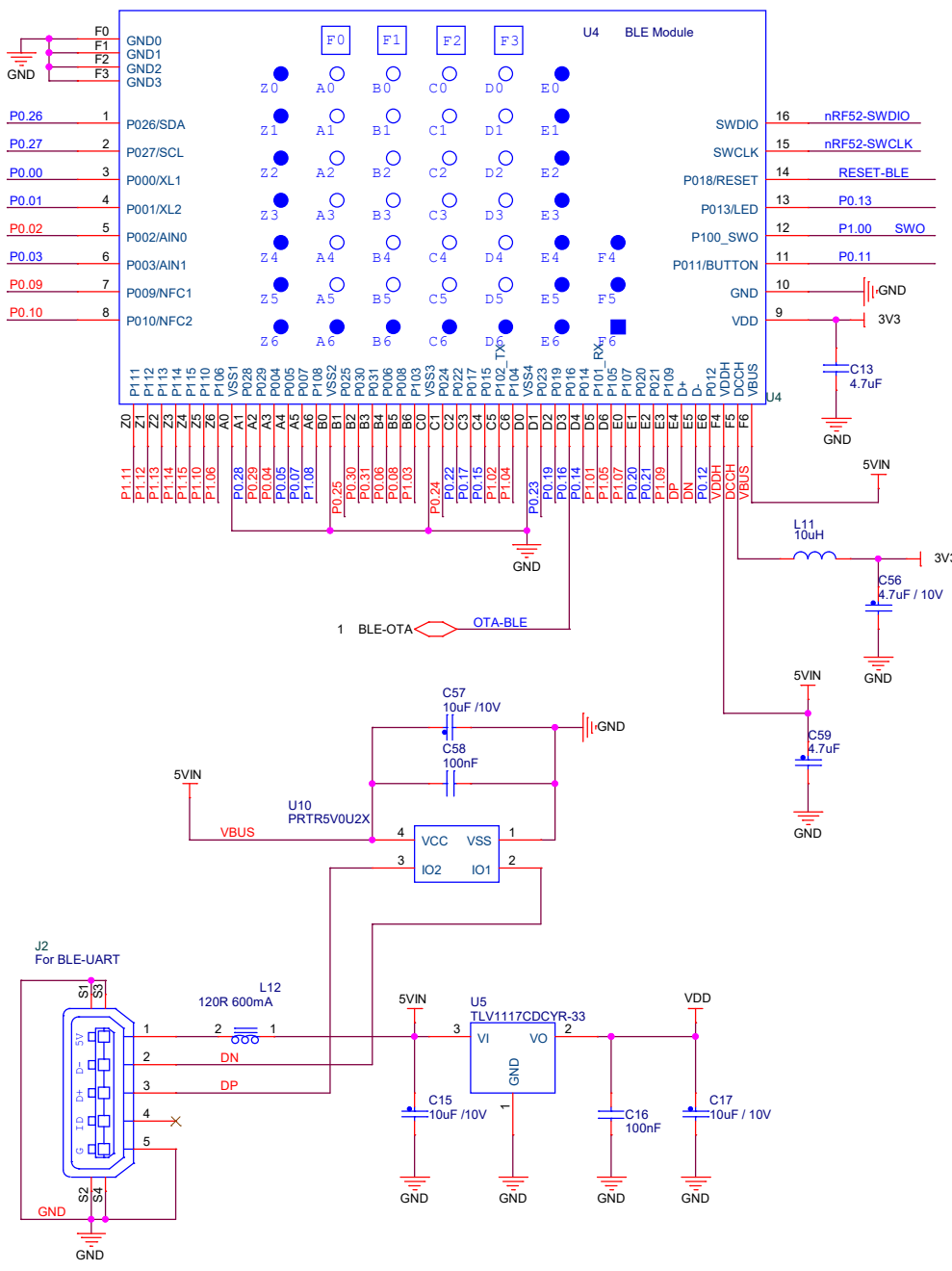


BLG840F BLOCK





FANSTEL Corporation.			
Title: BLG840F Gateway			
Size B	Document Number	BLE	Rev 1.2
Date:	Thursday, January 28, 2021	Sheet	2 of 2